

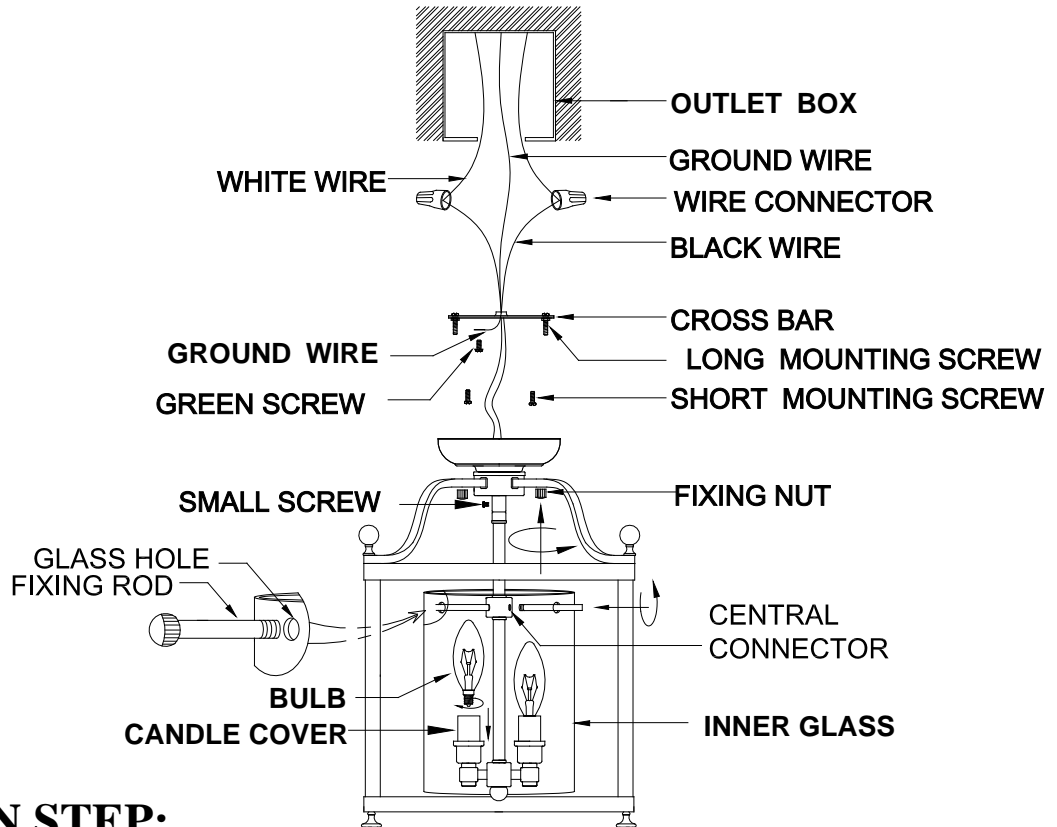
ASSEMBLY AND INSTALLATION INSTRUCTIONS FOR ITEM

#176-3SF-S/# 177-3SF-S#176-3SF-M#177-3SF-M

WARNING:

TO AVOID RISK OF ELECTRICAL SHOCK, BE SURE TO SHUT OFF POWER WHILE INSTALLING OR SERVICING THIS FIXTURE.

NOTE: Should any difficulty be experienced, please consult a qualified electrician before installing.



INSTALLATION STEP:

1. Turn off the electricity at the Fuse or Circuit Breaker before installation.
2. Attach the Cross Bar to the Outlet Box by the 2pcs Mounting Screws upwards.
3. **Install Bulbs. (Bulbs are not included, please do not exceed the maximum capacity which is recommended on the Socket Cover.)**
4. Carefully put the Inner Glass into the fixture frame and thread the Fixing Rod to the Central Connector .
5. Straight the Central Cluster to be vertical and then fixing the Small Screw.
6. Make wire connection with Wire Connectors:
 - Connect the black Wire from the light to the Black Wire from the Outlet Box.
 - Connect the white Wire from the light to the White Wire from the Outlet Box.
 - Attached the Ground Wire and House Ground Wire to the Cross Bar with a Green Screw.Carefully tuck wires back into the Outlet Box.
7. Raise up the fixture and insert the 2pcs of Short Mounting Screws into the Canopy and tighten with the Fixing Nuts.
8. Turn on the power at Fuse or Circuit Box and enjoy your new fixture.